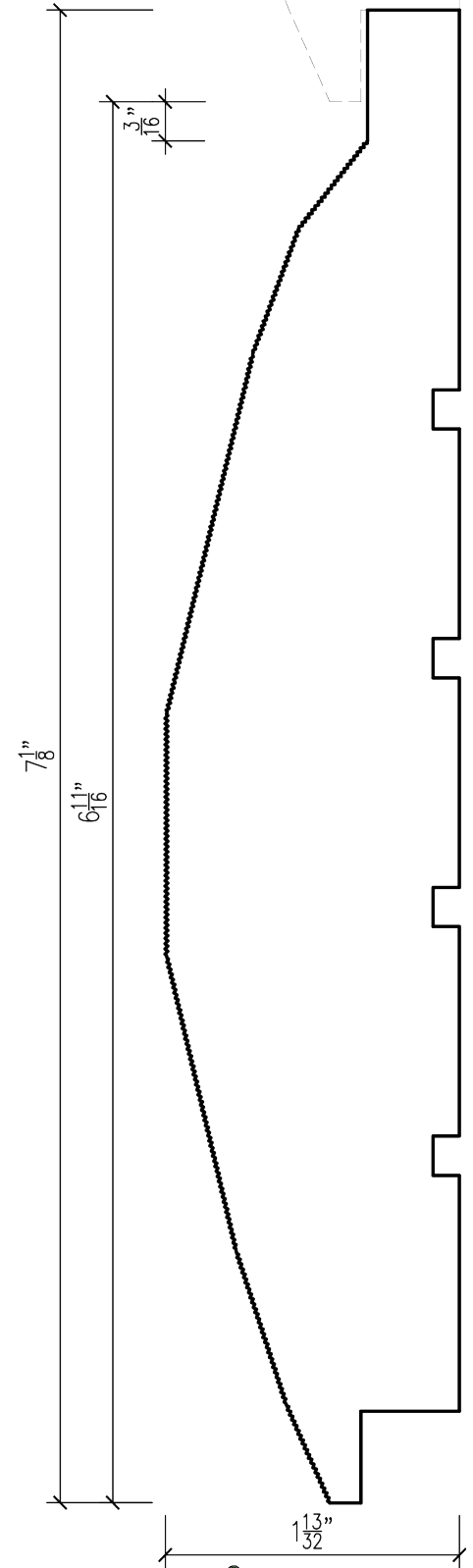


LOG HAND HEWN



PRODUCT INFORMATION:

- SPECIES:** Select Struct. ESLP
LENGTHS: 12', 14', 16'
SIZES: 2x8
BUNDLE: 1
2016 PATTERN BOARD: #34
OLD PATTERNBOARD: #35

FACTORS:

- BFT/SQFT:** 2.28
BFT/LFT: 1.3334

FORMULAS:

- TOTAL BFT** = SqFt * Bft/SqFt
TOTAL LFT = Total Bft / Bft/Lft
PRICE PER SQFT = Bft/SqFt * Cost/1000
PRICE PER LFT = Bft/Lft * Cost/1000

Return TOC 18

Empire
Building
Materials
SINCE 1954